

# MAMMOMAT 1000 / 3000 Nova

## Accessories

### Accessories (optional)

#### **Compression plate with low edge 18 cm x 24 cm**

**# 44 94 378**

Standard compression plate with 40 mm high front edge.

#### **Compression plate with high edge 18 cm x 24 cm**

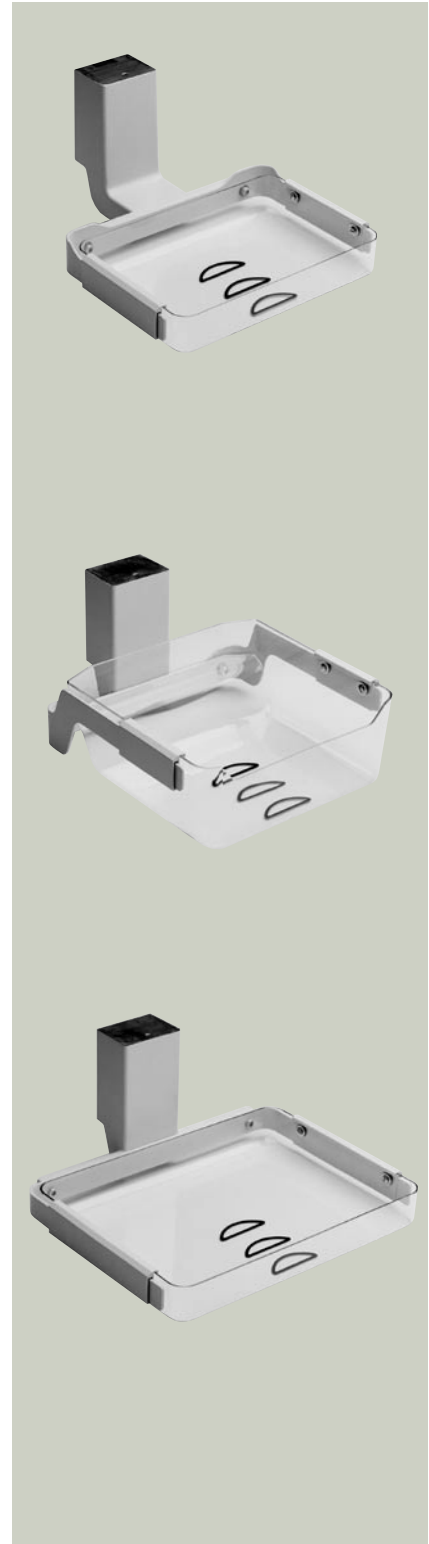
**# 44 94 386**

Standard compression plate with 70 mm high front edge.

#### **Compression plate with low edge 24 cm x 30 cm**

**# 44 94 410**

Standard compression plate with 40 mm high front edge.



## Accessories (optional)

### Compression plate with high edge 24 cm x 30 cm

# 44 94 428

Standard compression plate with 70 mm high front edge.

### Flexible compression plate with high edge 18 cm x 24 cm

# 44 94 394

This flexible compression plate flexes in two directions:

- chest wall to nipple side for CC views
- axillary-inframammary fold side for lateral views

The self-adjusting tilt depends on the thickness and shape of the breast, and provides a more uniform compression over the entire breast surface.

The plate can be used for all standard views.

### Flexible compression plate with high edge 24 cm x 30 cm

# 44 94 436

This flexible compression plate flexes in two directions:

- chest wall to nipple side for CC views
- axillary-inframammary fold side for lateral views

The self-adjusting tilt depends on the thickness and shape of the breast, and provides a more uniform compression over the entire breast surface.

The plate can be used for all standard views.



# MAMMOMAT 1000 / 3000 Nova

## Accessories

### Accessories (optional)

#### Detail/spot compression plate

# 44 94 444

Special plate used with 18 cm x 24 cm object table. The compression with this plate simplifies the visualization of the suspicious area in spot diagnostics. External collimator is included.

#### Axilla compression plate

# 44 94 477

Special plate for compression of axillary areas. Can also be used for male breasts, small breasts, breasts after surgery and implants (push back views). External collimator is included.



## Accessories (optional)

### Magnification table 1.5

# 44 94 469

The magnification table with magnification factor 1.5 includes two compression plates; one spot compression plate with external collimator plate and one flat compression plate.



# MAMMOMAT 1000 / 3000 Nova

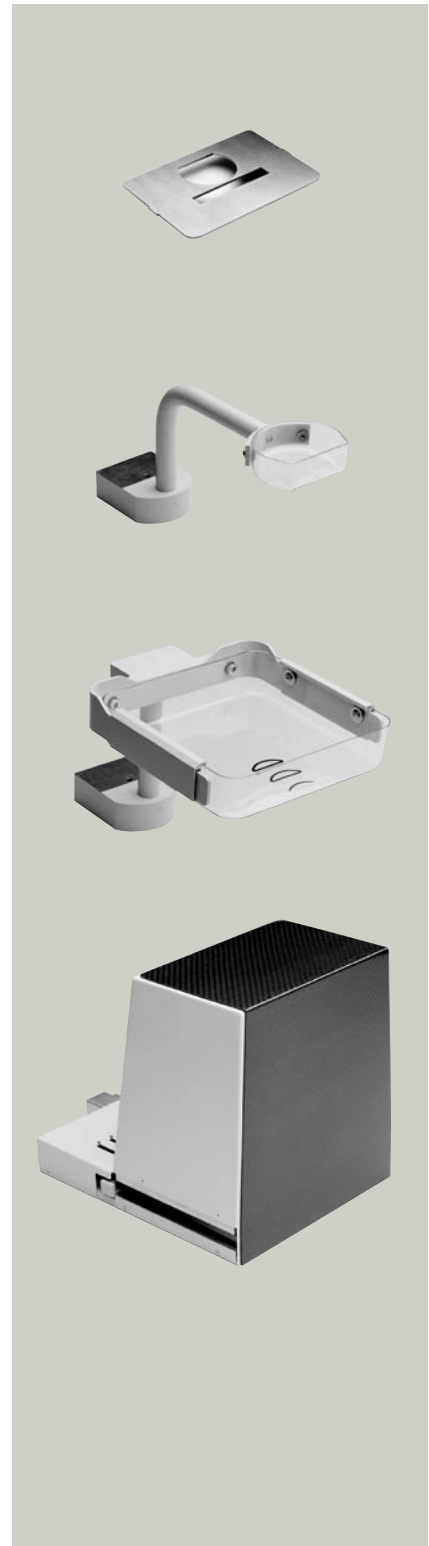
## Accessories

### Accessories (optional)

#### Magnification table 1.8

# 44 94 451

The magnification table with magnification factor 1.8 includes two compression plates; one spot compression plate with external collimator plate and one flat compression plate.



## Accessories (optional)

### **Second object table with Bucky 18 cm x 24 cm** # 44 95 227

Detachable object table with Bucky for 18 cm x 24 cm cassettes. (One object table with 18 x 24 cm Bucky is included in the scope of supply).

### **Object table without Bucky 18 cm x 24 cm** # 44 94 501

Object table without Bucky, attaches with quick-action lock, for 18 cm x 24 cm cassettes.

### **Object table with Bucky 24 cm x 30 cm** # 44 94 402

Detachable object table with Bucky for 24 cm x 30 cm cassettes.

### **Object table without Bucky 24 cm x 30 cm** # 44 94 519

Object table without Bucky, attaches with quick-action lock, for 24 cm x 30 cm cassettes.



# MAMMOMAT 1000 / 3000 Nova

## Accessories

### Accessories (optional)

#### Stereotactic biopsy device

# 44 94 709

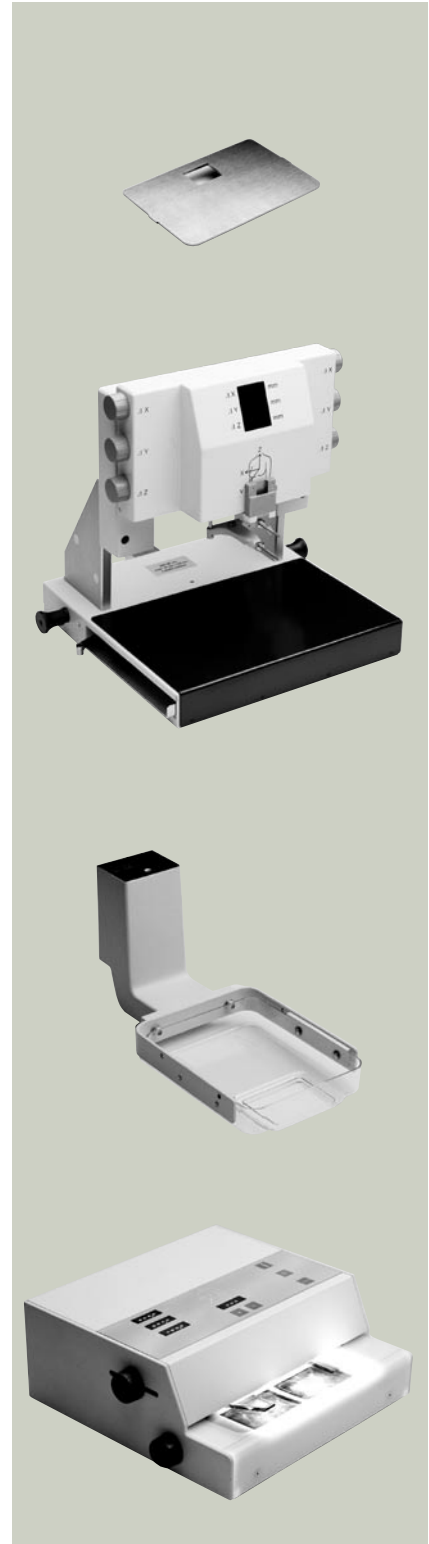
The stereotactic biopsy device is mounted on the base plate of the MAMMOMAT 3000 Nova.

Special two-angle views are taken on the same film and processed in the evaluation unit.

The coordinates are defined and sent to the biopsy unit where the needles are inserted. The accuracy is  $\pm 1$  mm.

The biopsy attachment is used together with a special compression plate and external collimator. The stereotactic attachment can be used with fine needles, core needles and with the Mammotome system from Ethicon.

Different needle holders are required depending on the needle size. Only for MAMMOMAT 3000 Nova.



## Accessories (optional)

### Perforated biopsy compression plate

# 44 94 493

A special plate for biopsy and localization. The plate has several perforations and a coordinate system. The patient remains in compression while the physician determines where the lesion is located. The needle is then inserted into the breast. The position of the lesion can only be defined in the x and y direction. The depth must be checked with perpendicular views.

### Biopsy device / Shadow cross

# 44 94 485

The shadow cross attachment is mounted on the tube unit and used with an external collimator and a fenestrated coordinate plate. The patient remains in compression while the physician determines where the lesion is located. The cross is set over the coordinates and the needle is inserted at the center of the cross. Only X and Y coordinates are defined, but with the use of the cross the accuracy is higher than with the perforated biopsy compression plate.



# MAMMOMAT 1000 / 3000 Nova

## Accessories

### Accessories (optional)

#### Wall holder for compression plates

# 44 94 584

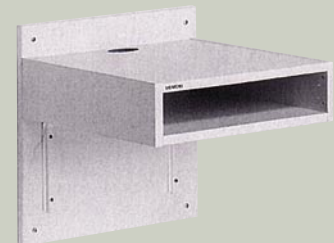
Wall holder for 6 compression plates with corresponding diaphragms and shadow cross.



#### Rack for the evaluation unit

# 44 94 600

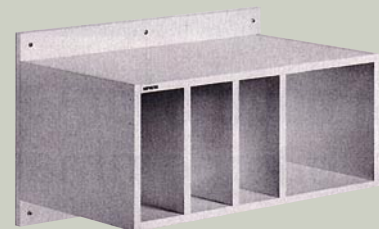
Rack for the evaluation unit or an ID camera, 45 cm width, 47 cm depth.



#### Rack for storing cassettes

# 44 94 592

Rack for storing cassettes, object tables and the biopsy device, 75 cm width, 47 cm depth.



## Accessories (optional)

### Exposure release button

# 44 94 360

Remote exposure release button for use with separate generator control console.

### 0.1 mm Lead equivalent radiation shield

# 44 94 345

Free-standing radiation shield consisting of a frame and 0.1 mm lead equivalent lead glass.

### 0.3 mm Lead equivalent radiation shield

# 44 94 352

Free-standing radiation shield consisting of a frame and 0.3 mm lead equivalent lead glass.



The information in this document contains general descriptions of the technical options available and may not always apply in individual cases.

The required features should therefore be specified in each individual case at completion of contract.

Siemens reserves the right to modify the design and specifications contained herein without prior notice. Please contact your local Siemens sales representative for the most current information.

Original images always lose a certain amount of detail when reproduced.

In the interest of complying with legal requirements concerning the environmental compatibility of our products (protection of natural resources, waste conservation), we recycle certain components. Using the same extensive quality assurance measures as for new components, we guarantee the quality of these recycled components.

Siemens AG  
Wittelsbacherplatz 2  
D-80333 München  
Germany

#### **Headquarters**

Siemens AG, Medical Solutions  
Henkestr. 127, D-91052 Erlangen  
Germany  
Telephone ++49 9131 84-0  
[www.siemens.com/medical](http://www.siemens.com/medical)

#### **Contact addresses:**

##### **In the USA**

Siemens Medical Solutions USA, Inc.  
51 Valley Stream Parkway  
Malvern, PA 19355  
Telephone: +01 610 448 4500  
Telefax: +01 610 448 1620

##### **In Germany**

Siemens AG, Medical Solutions  
Special Systems  
Allee am Röthelheimpark 2  
D-91052 Erlangen  
Germany  
Telephone ++49 9131 84-0  
[siemens.com/medical](http://siemens.com/medical)

Siemens **Medical**  
**Solutions** that help