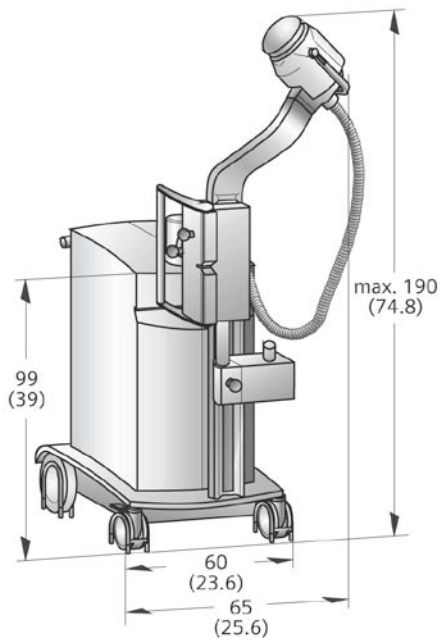


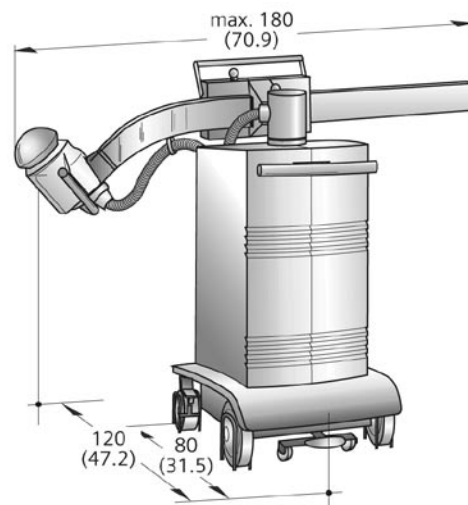
LITHOSTAR MODULARIS

Technical Data

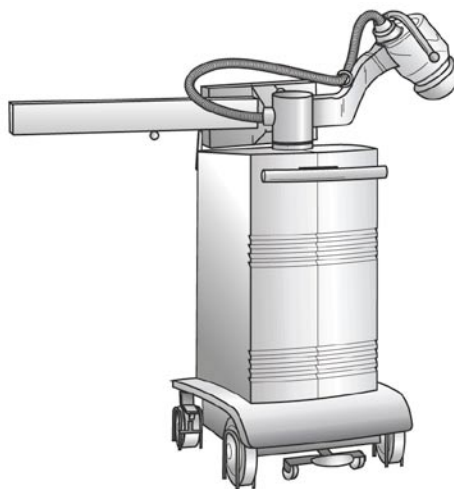
Dimensions cm (inches)



Transport position



Undertable position

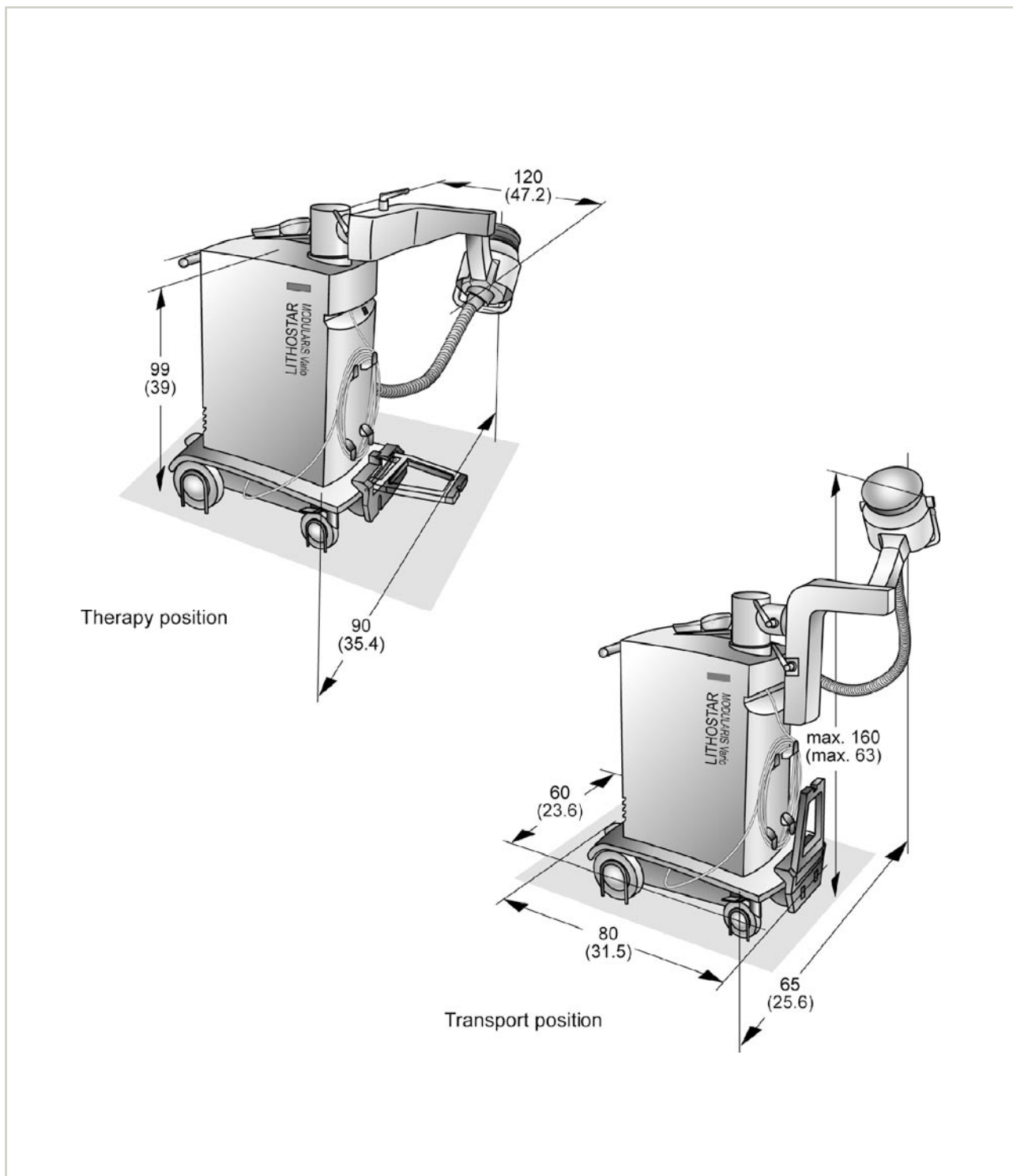


Overtable position

LITHOSTAR MODULARIS Vario

Technical Data

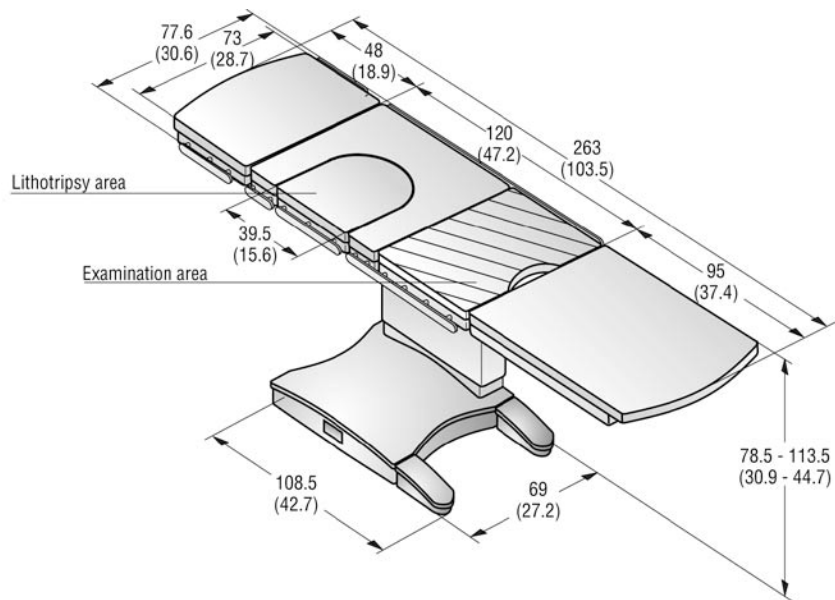
Dimensions cm (inches)



MODULARIS Uro

Technical Data

Dimensions cm (inches)



The information in this document contains general descriptions of the technical options available, which do not always have to be present in individual cases. The required features should therefore be specified in each individual case at the time of closing the contract.

All technical data represent typical values, unless specific tolerances are indicated.

Siemens reserves the right to modify the design and specifications contained herein without prior notice. Please contact your local Siemens Sales representative for the most current information.

Siemens AG, Medical Solutions
Henkestr. 127, D-91052 Erlangen
Germany
Telephone ++49 9131 84-0
www.siemens.com/medical

Siemens **Medical**
Solutions that help

Order No.
A91001-M1540-G934-1-7600
Printed in Germany
SPMS DA 03042