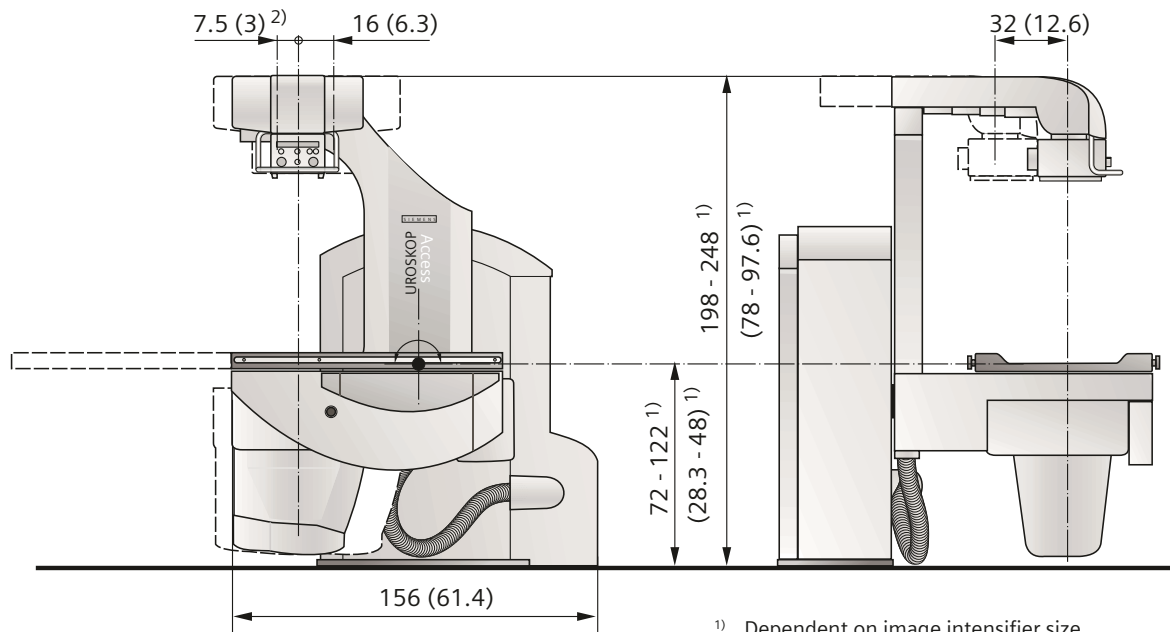


UROSKOP Access

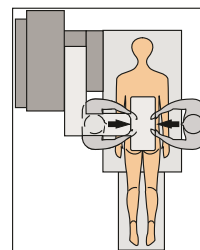
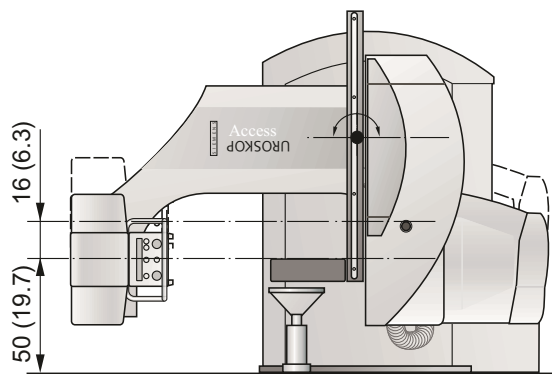
Technical Data

Dimensions cm (inches)

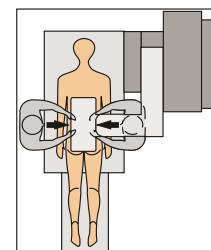


- 1) Dependent on image intensifier size and cassette carriage installation
- 2) 7.5 cm (3) with 40 cm (16) I.I. and cassette
11 cm (4.3) with 33 cm (13) I.I. and cassette

URODYNAMIC position



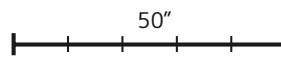
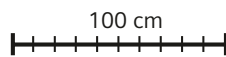
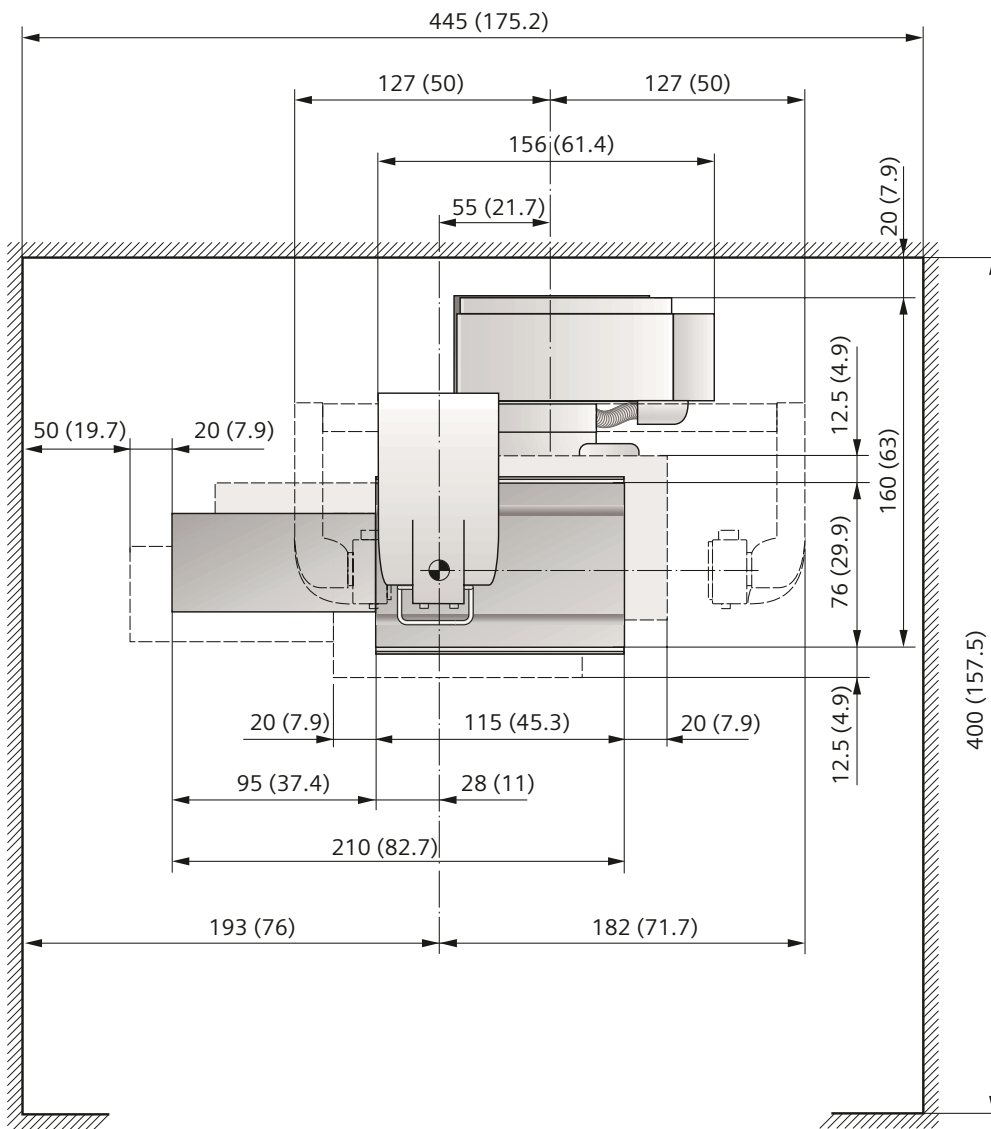
Left-hand version



Right-hand version

Dimensions cm (inches)

Dimensions valid for left-/right-hand version
Illustration: left-hand version



The information in this document contains general descriptions of the technical options available, which do not always have to be present in individual cases. The required features should therefore be specified in each individual case at the time of closing the contract.

All technical data represent typical values, unless specific tolerances are indicated.

Siemens reserves the right to change designs and specifications without prior notice. Please contact your local Siemens sales representative for the latest information.

Siemens AG, Medical Solutions
Henkestr. 127, D-91052 Erlangen
Germany
Telephone ++49 9131 84-0
siemens.com/medical

Siemens **Medical**
Solutions that help

Order No.
A91001-M1550-G887-4-7600
Printed in Germany
SPMS DA 09031